

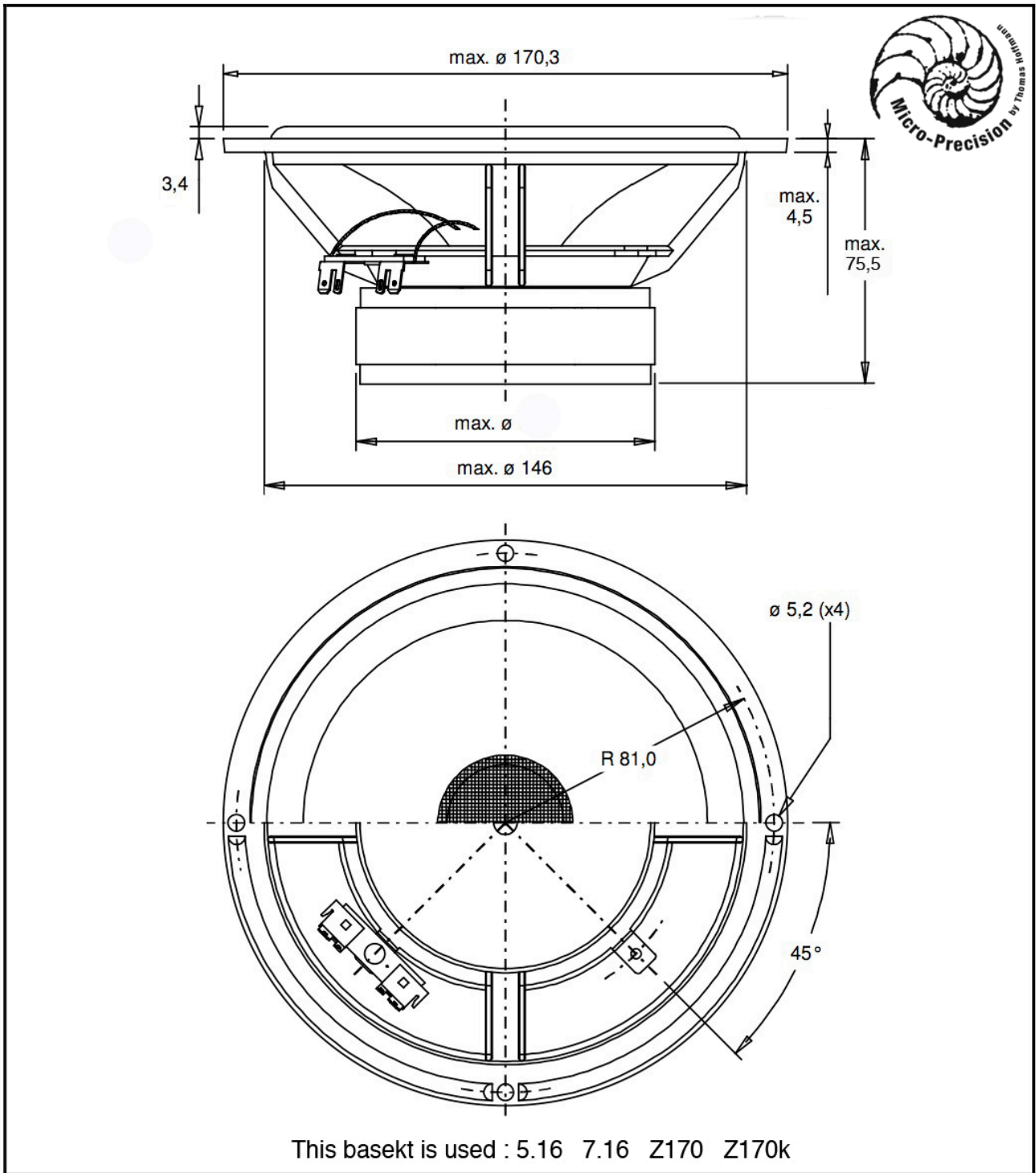
# Micro-Precision Sizes 2010



Uedem, 25. Januar 2010

Modell	Aussenmaß Outer diameter	Schallwandöffnung Bafflehole	Gesamthöhe Total height	Einbautiefe Interior depth	Wirkungsgrad Efficence
<b>3.28 MK II</b>	45,5 mm	45,5 mm	18,5 mm	18,5mm	90
<b>5.20 MK III</b>	44,0 mm	34,5 mm	12,0 mm	10,5 mm	89
<b>5.20 MK III o.R.</b>	36,0 mm	34,6 mm	12,2 mm	10,5 mm	89
<b>5.28 MK II</b>	<b>56 mm</b>	<b>43 mm</b>		12,5 mm	90
<b>5.28 MK II o.R.</b>	45 mm	<b>43 mm</b>		12,5 mm	90
<b>7.28 MK III</b>	<b>56,0 mm</b>	<b>40,0 mm</b>	29,0 mm	26,0 mm	90
<b>7.28 Mk III o.R.</b>	43,0 mm	40,0 mm	29,0 mm	26,0 mm	90
<b>Z-Serie</b>	<b>56,0 mm</b>	<b>40,0 mm</b>	29,0 mm	26,0 mm	90
<b>Z-Serie o.R.</b>	43,0 mm	40,0 mm	29,0 mm	26,0 mm	90
<b>Z-Studio Tweeter</b>	67,0 mm	52,5 mm	35 mm	30 mm	94
<b>Z-Studio Tweeter o.R</b>	56,0 mm	52,5 mm	35 mm	30 mm	94
<b>3.13</b>	149/129 mm	112,0 mm	64,4 mm	59,5 mm	88
<b>3.16</b>	167,0 mm	<b>145,0 mm</b>	67,3 mm	64,2 mm	89
<b>5.8 Mk II</b>	93,5 mm	73,0 mm	53,5 mm	50,0 mm	90
<b>5.16</b>	170,0 mm	<b>145,0 mm</b>	70,0 mm	65,0 mm	89
<b>7.16 MK II</b>	170,0 mm	<b>145,0 mm</b>	73,0 mm	68,0 mm	91
<b>Z 100 MK III</b>	120,0 mm	98,0 mm	65,0 mm	60,0 mm	89
<b>Z 130 TEX</b>	160/130 mm	100,0 mm	66,0 mm	61,0 mm	90
<b>Z 170 MK III</b>	170,0 mm	<b>145,0 mm</b>	76,0 mm	71,5 mm	90
<b>Z 170 Limited</b>	190/170 mm	146,0 mm	85,0 mm	76,5 mm	91
<b>Z-Studio 100 F</b>	109,5 mm	89 mm	39,5 mm	<b>34,5 mm</b>	-
<b>Z-Studio 130</b>	145 mm	128 mm	70,1 mm	62,6 mm	90
<b>Z-Studio 170</b>	170,0 mm	<b>144 mm</b>	79,2 mm	72,2 mm	90
<b>Z Studio 245</b>	268 mm	233 mm	115,65 mm	101,7 mm	91

Changes can be done without notice.



Changes can be done without notice.